

Körperschalllautsprecher EXT-2513A22

Art. Nr. 105002

Specification:

NO	ITEM	SPECIFICATION
1	Mechanical Layout & Dimensions	Shown in the Exciter-02.Drw
2	Nominal Impedance	$8\Omega \pm 15\%$ at 1KHZ, 1.0V (D.C.R= $7.2\Omega \pm 10\%$)
3	Input Power	Nom. Input 5W
		Max. Input 10W
4	Operation	4.47Volt (200Hz-20KHz) Sweep Time at 2s
5	Resonance FerQ. F0	$1200 \pm 20\%$ HZ (F0 Meter)
6	Flux Density	12000 GAUSS $\pm 10\%$
7	Insulation Resistance	No Less than 1M at DC 100V
8	Polarity	When positive voltage is applied to the (+) Terminal, Voice Coil should move out of the Air gap.
9	Weight	$115g \pm 10\%$ (Driver weight)
10	Power Test	IEC 268-5 6.32V 48 Hours
11	Heat Resistance	Temperature: $+60^{\circ}\text{C} \pm 2^{\circ}\text{C}$
		Duration: 24hours
12	Humidity Resistance	Temperature: $+40^{\circ}\text{C} \pm 2^{\circ}\text{C}$
		Relative Humidity: 93(+2/-3)%
		Duration: 48 Hours(GB)
13	Low Resistance	Temperature: $-10^{\circ}\text{C} \pm 3^{\circ}\text{C}$ testing 1 Hours (GB)
		And then $-20^{\circ}\text{C} \pm 3^{\circ}\text{C}$ testing 2 Hours(GB)
14	Dropping Test	$600 \pm 25\text{mm}$ $60^{\circ} \pm 5^{\circ}$ (GB)

Körperschalllautsprecher EXT-2513A22

Art. Nr. 105002

Sample Testing Report:

NO	ITEM	TESTING CONDITIONS	No1	No2	No3	No4	Result
1	Speaker Size	Out Diameter : Φ 70.2 \pm 0.5mm	70.2	70.5	/	/	OK
2	Impedance	8 Ω \pm 15 % At 1KHZ,1.0V (D.C.R: 7.2 Ω \pm 10%)	7.3	7.2	/	/	OK
3	Resonance Frequency	1200Hz \pm 20% (F0 Meter)	1200	1200	/	/	OK
4	Buzz & Rattle Test	Must Be Normal: Wave4.47V (Form 200Hz To 20KHz)	√	√	/	/	OK
5	Polarity	When a positive D.C voltage is applied To the voice coil terminal marked to Diaphragm should move to the front	√	√	/	/	OK
6	Flux Density	12000GAUSS \pm 10%	12100	12000	/	/	OK
7	Power Test	IEC 268-5 6.32V 48 Hours	√	√	/	/	OK
8	Heat Resistance	Temperature: +60 $^{\circ}$ C \pm 2 $^{\circ}$ C Duration: 24Hours	√	√	/	/	OK
9.	Humidity Resistance	Temperature: +40 $^{\circ}$ C \pm 2 $^{\circ}$ C Relative Humidity: 93(+2/-3)% Duration: 48 Hours(GB)	√	√	/	/	OK
10	Low Temperature	Temperature: -10 $^{\circ}$ C \pm 3 $^{\circ}$ C testing 1 Hours And then -20 $^{\circ}$ C \pm 3 $^{\circ}$ C testing 2 Hours(GB)	√	√	/	/	OK
11	Dropping Test	600mm \pm 25mm 60 $^{\circ}$ \pm 5 $^{\circ}$ (GB)	√	√	/	/	OK

Körperschalllautsprecher EXT-2513A22

Art. Nr. 105002

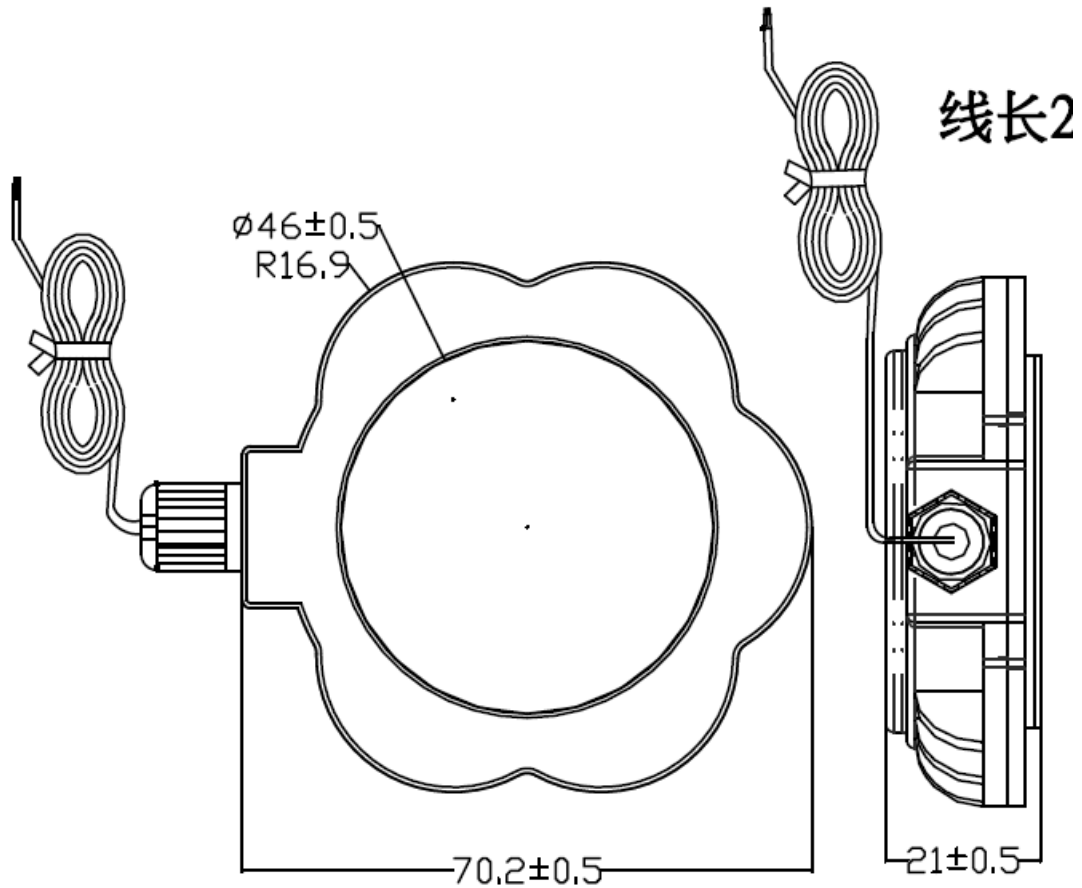
RoHS Substance Confirmation Form:

NO	SUPPLY ITEM		RoHS Substance Inspection Result						Survey Report No
			Cd	Pb	Hg	Cr6+	PBB	PBDE	(6 Material)
	Item	Material	100	1000	1000	1000	1000	1000	Ppm
1	塑膠	ABS	ND	13	ND	ND	ND	ND	SH8064035/CHEM
			OK	OK	OK	OK	OK	OK	2008.5.12
2	散熱片	AL	ND	150	ND	Negative	ND	ND	GZ0707104821/CAEM
			OK	OK	OK	OK	OK	OK	2007.07.30
3	防水海棉	EVA	ND	ND	ND	ND	ND	ND	SZHJ13924002
			OK	OK	OK	OK	OK	OK	2008.08.14
4	防水圈		ND	11	ND	ND	ND	ND	CANEC0701057300
			OK	OK	OK	OK	OK	OK	2007.12.26
5	導熱膠		ND	ND	ND	ND	ND	ND	1465234
			OK	OK	OK	OK	OK	OK	2008.5.7
6	雙面膠		ND	ND	ND	ND	ND	ND	KA/2008/20606
			OK	OK	OK	OK	OK	OK	2008.02.22
7	連接器	塑膠	ND	21	ND	ND	ND	ND	SH8050359/CHEM
			OK	OK	OK	OK	OK	OK	2008.04.19
8	電線	塑膠+	ND	15	ND	Negative	ND	ND	GZ0711166131/CHEM
		Cu	OK	OK	OK	OK	OK	OK	2007.11.07
9	螺絲	Pu	<10	13	<10	Negative	ND	ND	07A1552
			OK	OK	OK	OK	OK	OK	2007.07.27
10	膠袋	PE	<2	<2	<2	ND	NA	NA	E080329004C-A
			OK	OK	OK	OK	NA	NA	2008.04.12

Körperschalllautsprecher EXT-2513A22

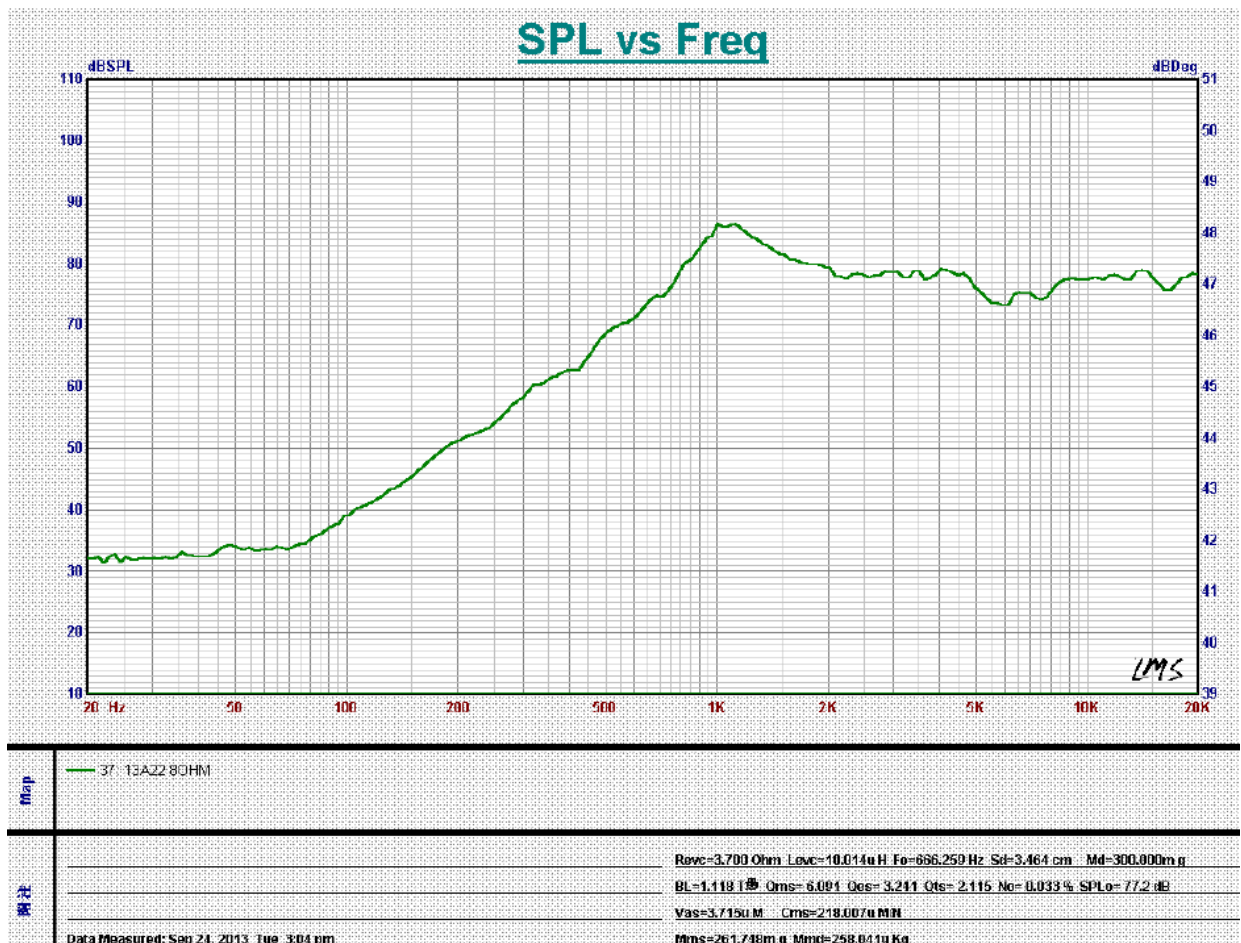
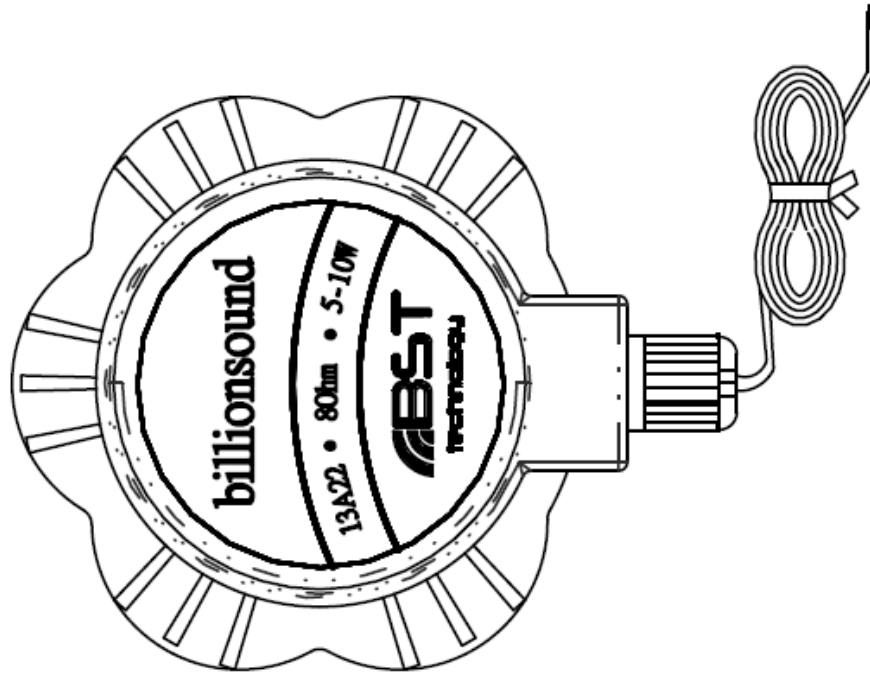
Art. Nr. 105002

Dimension:



Körperschalllautsprecher EXT-2513A22

Art. Nr. 105002



Version 1 / 04/2024